



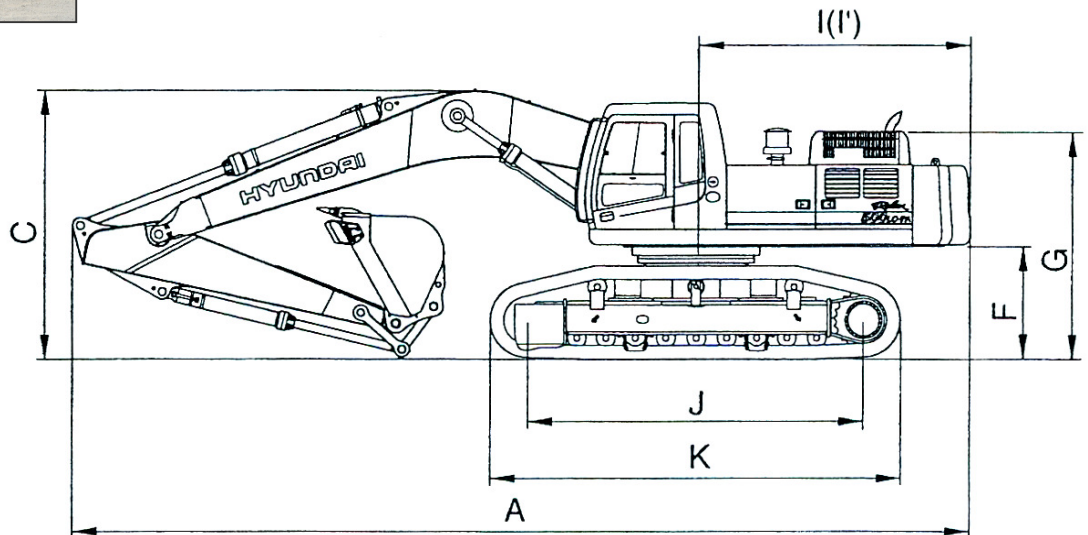
**Daniel Smith Industries Ltd**  
 315 Flaxton Road, Rangiora, 7400  
 Canterbury, New Zealand.  
 Phone: 0064 (0) 3 313 9902  
 Fax: 0064 (0) 3 313 9904  
 Mobile 0064 (0) 21 33 66 23  
 Email: [daniel@danielsmith.co.nz](mailto:daniel@danielsmith.co.nz)

# HYUNDAI Robex R500LC-7

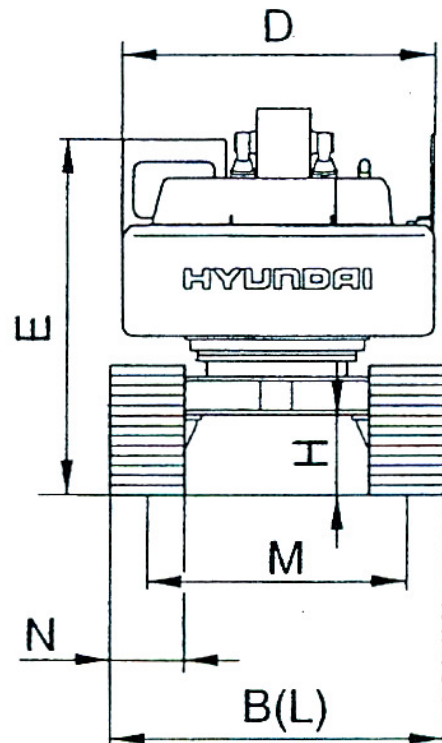
Page 1 of 2

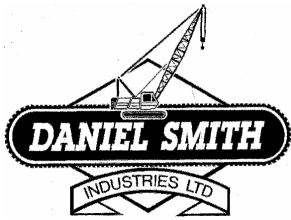


## Specifications



Description	Unit	Specification
Operating weight	kg(lb)	48800(107580)
Bucket capacity(SAE heaped), standard	m <sup>3</sup> (yd <sup>3</sup> )	2.15(2.81)
Overall length	A	12030(39' 6")
Overall width, with 600mm shoe (Transport position/Working position)	B	2990/3540(9'10"/11'7")
Overall height	C	3850(12' 8")
Superstructure width	D	2980(9' 9")
Overall height of cab	E	3390(11' 2")
Ground clearance of counterweight	F	1500( 4'11")
Engine cover height	G	3015( 9'11")
Minimum ground clearance	H	770( 2' 6")
Rear-end distance	I	3665(12' 0")
Rear-end swing radius	I'	3720(12' 2")
Distance between tumbler	J	4470(14' 8")
Undercarriage length	K	5460(17'11")
Undercarriage width (Transport position/Working position)	L	2980/3540(9' 9"/11' 7")
Track gauge (Transport position/Working position)	M	2380/2940( 7'10"/ 9' 8")
Track shoe width, standard	N	600(24")
Travel speed(Low/high)	km/hr(mph)	3.3/5.2(2.0/3.2)
Swing speed	rpm	10.0
Gradeability	Degree(%)	35(70)
Ground pressure(600mm shoe)	kg/cm <sup>2</sup> (psi)	0.86(12.2)

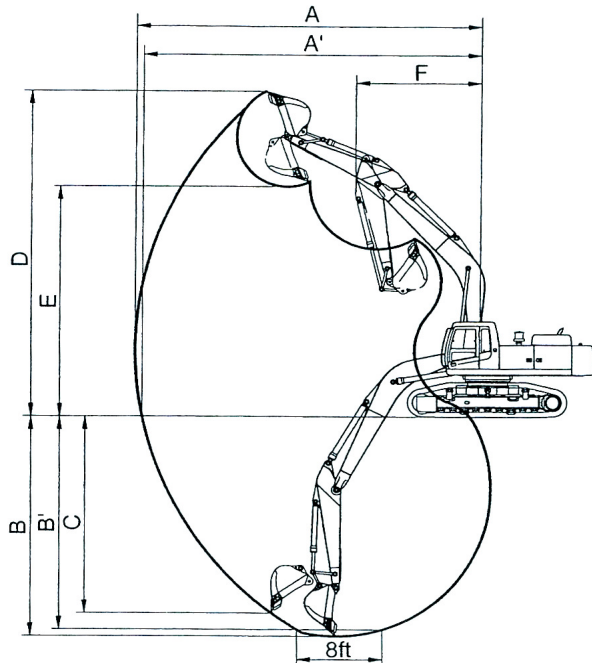




**Daniel Smith Industries Ltd**  
 315 Flaxton Road, Rangiora, 7400  
 Canterbury, New Zealand.  
 Phone: 0064 (0) 3 313 9902  
 Fax: 0064 (0) 3 313 9904  
 Mobile 0064 (0) 21 33 66 23  
 Email: [daniel@danielsmith.co.nz](mailto:daniel@danielsmith.co.nz)

# HYUNDAI Robex R500LC-7

## Working Ranges



Description		3.38m Arm
Max digging reach	A	12080mm
Max digging reach on ground	A'	11840mm
Max digging depth	B	7590mm
Max digging depth (8ft level)	B'	7440mm
Max vertical wall digging depth	C	5470mm
Max digging height	D	11080mm
Max dumping height	E	7760mm
Min swing radius	F	4830mm
Bucket digging force	SAE	253.0 kN
		25800 kgf
	ISO	56880 lbf
		292.2 kN
Arm crowd force	SAE	29800 kgf
		65700 lbf
	ISO	43210 lbf
		200.1 kN
		20400 kgf
		44970 lbf

## Lifting Capacities

Load point height	Load radius										At max. reach			
	3.0m(10.0ft)		4.5m(15.0ft)		6.0m(20.0ft)		7.5m(25.0ft)		9.0m(30.0ft)		Capacity		Reach	
													m(ft)	
7.5m (25.0ft)	kg lb											*7940 *17500	6280 13850	10.00 (32.8)
6.0m (20.0ft)	kg lb						*9650 *21270	*9650 *21270	*8840 *19490	7490 16510	*7910 *17440	5420 11950	10.66 (35.0)	
4.5m (15.0ft)	kg lb			*17020 *37520	*17020 *37520	*12850 *28330	*12850 *28330	*10650 *23480	10010 22070	*9320 *20550	7270 16030	*7960 *17550	4930 10870	11.05 (36.3)
3.0m (10.0ft)	kg lb			*21080 *46470	*21080 *46470	*14860 *32760	13540 29850	*11740 *25880	9510 20970	*9900 *21830	7000 15430	7740 17060	4690 10340	11.20 (36.7)
1.5m (5.0ft)	kg lb			*23420 *51630	19860 43780	*16410 *36180	12770 28150	*12670 *27930	9050 19950	*10390 *29910	6740 14860	7730 17040	4650 10250	11.13 (36.5)
Ground Line	kg lb			*23730 *52320	19320 42590	*17110 *37720	12290 27090	*13170 *29030	8730 19250	*10620 *23410	6540 14420	8030 *17700	4830 10650	10.82 (35.5)
-1.5m (-5.0ft)	kg lb	*19510 *43010	*19510 *43010	*22730 *50110	19240 42420	*16910 *37280	12090 26650	*13080 *28840	8570 18890	*10370 *22860	6450 14220	*8220 *18120	5280 11640	10.26 (33.7)
-3.0m (-10.0ft)	kg lb	*26060 *57450	*26060 *57450	*20660 *45550	19410 42790	*15740 *34700	12110 26700	*12190 *26870	8570 18890			*8000 *17640	6180 13620	9.40 (30.8)
-4.5m (-15.0ft)	kg lb	*22420 *49430	*22420 *49430	*17260 *38050	*17260 *38050	*13320 *29370	12340 27210	*9930 *21890	8780 19360			*7220 *15920	*7220 *15920	8.11 (26.6)
-6.0m (-20.0ft)				*11650 *25680	*11650 *25680									