



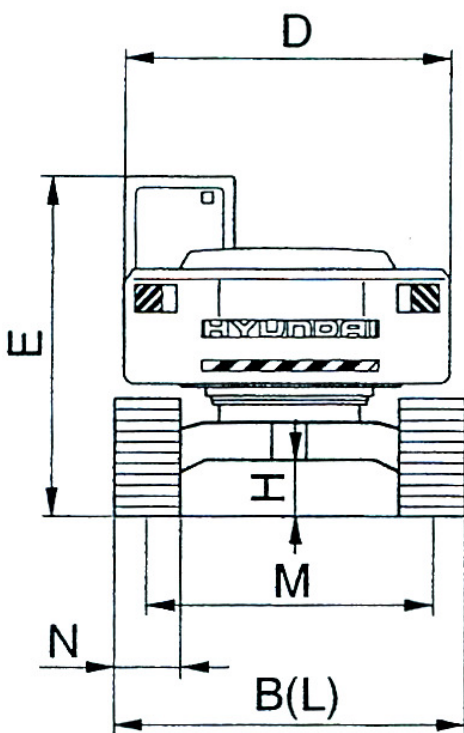
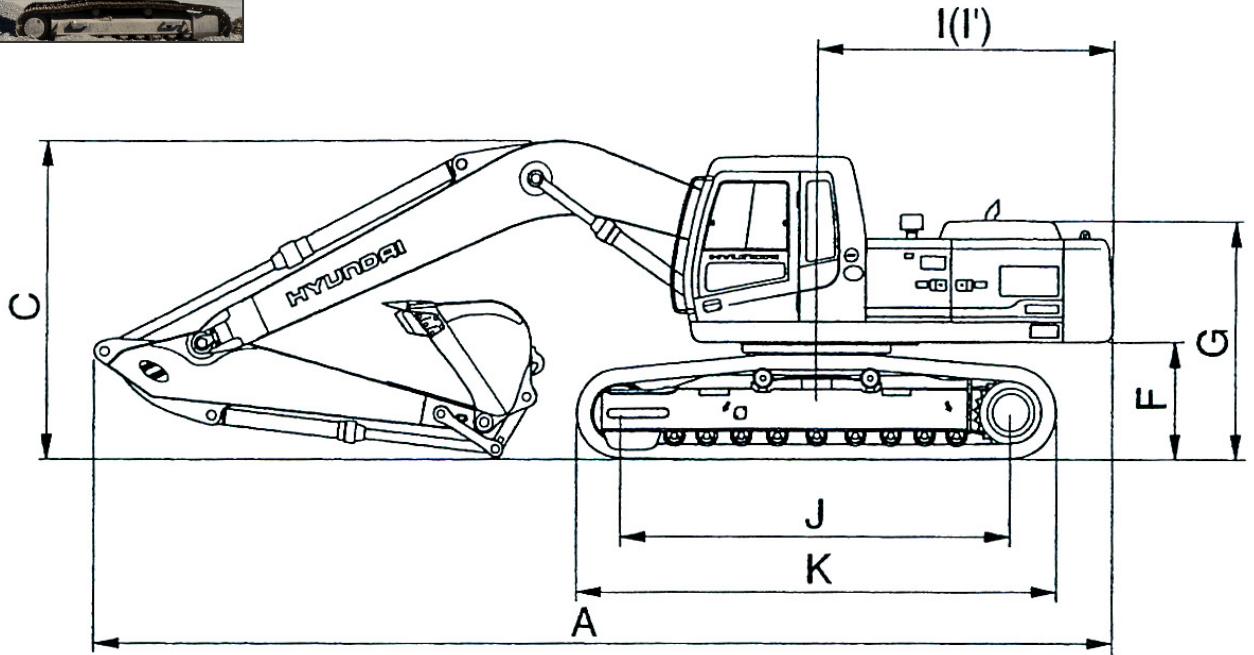
Daniel Smith Industries Ltd
 315 Flaxton Road, Rangiora, 7400
 Canterbury, New Zealand.
 Phone: 0064 (0) 3 313 9902
 Fax: 0064 (0) 3 313 9904
 Mobile 0064 (0) 21 33 66 23
 Email: daniel@danielsmith.co.nz

HYUNDAI Robex R210LC-7

Page 1 of 2



Specifications



Description	Unit	Specification
Operating weight	kg(lb)	21700(47840)
Bucket capacity(PCSA heaped), standard	m ³ (yd ³)	0.92(1.20)
Overall length	A	9520(31' 3")
Overall width, with 800mm shoe	B	2990(9' 10")
Overall height	C	2990(9' 10")
Superstructure width	D	2700(8' 10")
Overall height of cab	E	2920(9' 7")
Ground clearance of counterweight	F	1060(3' 6")
Engine cover height	G	2320(7' 7")
Minimum ground clearance	H	480(1' 7")
Rear-end distance	I	2770(9' 1")
Rear-end swing radius	I'	2830(9' 3")
Distance between tumbler	J	3650(12' 0")
Undercarriage length	K	4440(14' 7")
Undercarriage width	L	2990(9' 10")
Track gauge	M	2390(7' 10")
Track shoe width, standard	N	600(24")
Travel speed(Low/high)	km/hr(mph)	3.4/5.3(2.1/3.3)
Swing speed	rpm	12.5
Gradeability	Degree(%)	35(70)
Ground pressure(800mm shoe)	kgf/cm ² (psi)	0.46(6.54)



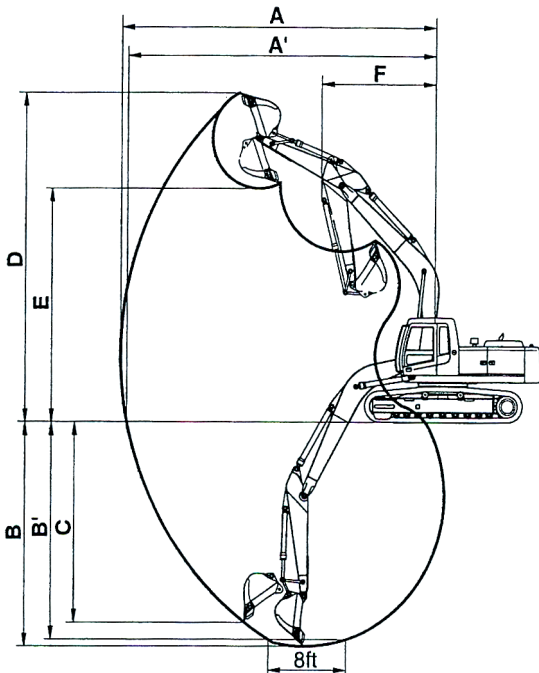
Daniel Smith Industries Ltd

315 Flaxton Road, Rangiora, 7400
 Canterbury, New Zealand.
 Phone: 0064 (0) 3 313 9902
 Fax: 0064 (0) 3 313 9904
 Mobile 0064 (0) 21 33 66 23
 Email: daniel@danielsmith.co.nz

HYUNDAI Robex R210LC-7

Page 2 of 2

Working Ranges



Description		2.92m Arm
Max digging reach	A	9940mm
Max digging reach on ground	A'	9780mm
Max digging depth	B	6740mm
Max digging depth (8ft level)	B'	6550mm
Max vertical wall digging depth	C	6120mm
Max digging height	D	9470mm
Max dumping height	E	6670mm
Min swing radius	F	3640mm
Bucket digging force	SAE	133 kN
		13600 kgf
		29980 lbf
Arm digging force	ISO	152 kN
		15500 kgf
		34170 lbf
SAE	97 kN	9900 kgf
		21830 lbf
		ISO
		10300 kgf
		22710 lbf

Lifting Capacities

Load point height	Load radius										At max. reach				
	1.5m(5ft)		3.0m(10ft)		4.5m(15ft)		6.0m(20ft)		7.5m(25ft)		Capacity		Reach m(ft)		
	🔧	🔗	🔧	🔗	🔧	🔗	🔧	🔗	🔧	🔗	🔧	🔗			
7.5m (25ft)	kg												*3120	*3120	7.72
	lb												*6880	*6880	(25.3)
6.0m (20ft)	kg												*3210	2530	8.69
	lb												*7080	5580	(28.5)
4.5m (15ft)	kg						*3770	*3770	*3590	3210	*3340	2170	*7360	4780	9.27
	lb						*8310	*8310	*7910	7080	*7360	4780			(30.4)
3.0m (10ft)	kg			*9160	*9160	*5760	*5760	*4530	4490	*3950	3070	*3490	1980	9.55	
	lb			*20190	*20190	*12700	*12700	*9990	9900	*8710	6770	*7690	4370	(31.3)	
1.5m (5ft)	kg			*8660	*8660	*7430	6500	*5380	4180	*4390	2910	3440	1930	9.54	
	lb			*19090	*19090	*16380	14330	*11860	9220	*9680	6420	7580	4250	(31.3)	
Ground Line	kg			*9310	*9310	*8550	6100	*6060	3950	*4770	2780	3580	2000	9.26	
	lb			*20530	*20530	*18850	13450	*13360	8710	*10520	6130	7890	4410	(30.4)	
-1.5m (-5ft)	kg	*8550	*8550	*12160	11830	*8950	5940	*6400	3820	4870	2720	3970	2230	8.67	
	lb	*18850	*18850	*26810	26080	*19730	13100	*14110	8420	10740	6000	8750	4920	(28.4)	
-3.0m (-10ft)	kg	*11700	*11700	*13020	11990	*8680	5960	*6280	3820			*4230	2770	7.69	
	lb	*25790	*25790	*28700	26430	*19140	13140	*13850	8420			*9330	6110	(25.2)	
-4.5m (-15ft)	kg			*11040	*11040	*7560	6130					*4140	*4140	6.09	
	lb			24340	*24340	*16670	13510					*9130	*9130	(20.0)	