



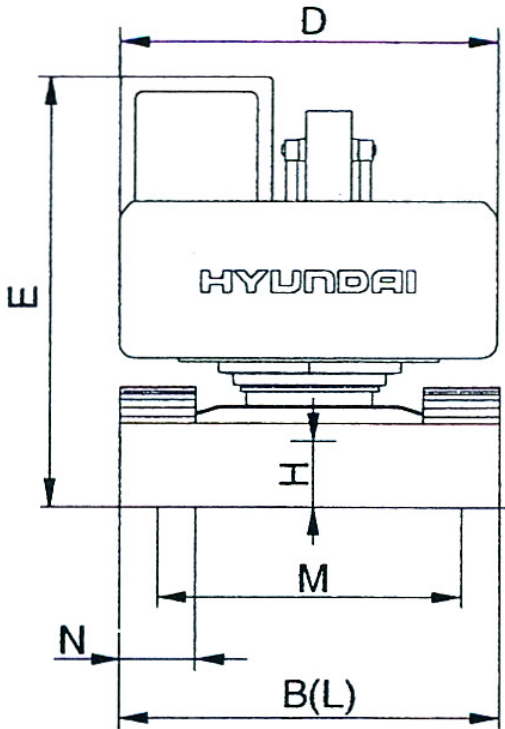
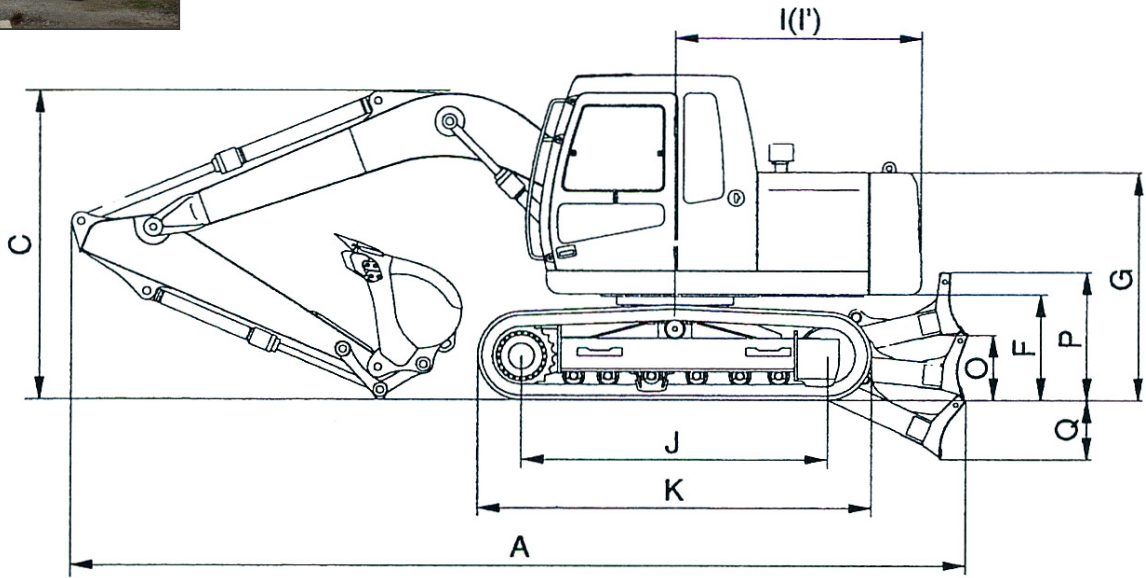
**Daniel Smith Industries Ltd**

315 Flaxton Road, Rangiora, 7400  
 Canterbury, New Zealand.  
 Phone: 0064 (0) 3 313 9902  
 Fax: 0064 (0) 3 313 9904  
 Mobile 0064 (0) 21 33 66 23  
 Email: [daniel@danielsmith.co.nz](mailto:daniel@danielsmith.co.nz)

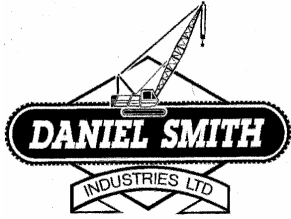
# HYUNDAI Robex R110D-7



## Specifications



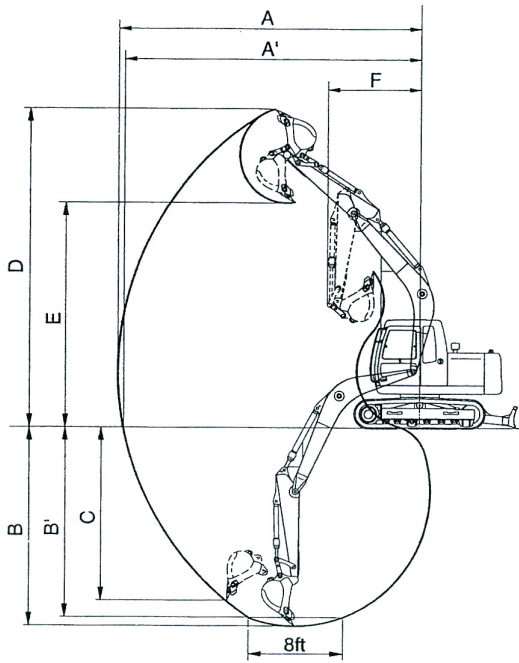
Description	Unit	Specification
Operating weight	kg(lb)	11900(26230)
Bucket capacity(SAE heaped), standard	m <sup>3</sup> (yd <sup>3</sup> )	0.45(0.59)
Overall length	A	7650(25' 1")
Overall width, with 500mm shoe	B	2500( 8' 2")
Overall height	C	2720( 8' 11")
Superstructure width	D	2475( 8' 1")
Overall height of cab	E	2800( 9' 2")
Ground clearance of counterweight	F	900( 2' 11")
Engine cover height	G	1990( 6' 6")
Minimum ground clearance	H	440( 1' 5")
Rear-end distance	I	2110( 6' 11")
Rear-end swing radius	I'	2130( 7' 0")
Distance between tumpblers	J	2610( 8' 7")
Undercarriage length	K	3340(10' 11")
Undercarriage width	L	2500( 8' 2")
Track gauge	M	1990( 6' 6")
Track shoe width, standard	N	500(20")
Height of blade	O	550( 1' 10")
Ground clearance of blade up	P	500( 1' 8")
Depth of blade down	Q	520( 1' 8")
Travel speed(Low/high)	km/hr(mph)	3.4/5.5(2.1/3.4)
Swing speed	rpm	13.0
Gradeability	Degree(%)	35(70)
Ground pressure(500mm shoe)	kgf/cm <sup>2</sup> (psi)	0.42(5.97)



**Daniel Smith Industries Ltd**  
 315 Flaxton Road, Rangiora, 7400  
 Canterbury, New Zealand.  
 Phone: 0064 (0) 3 313 9902  
 Fax: 0064 (0) 3 313 9904  
 Mobile 0064 (0) 21 33 66 23  
 Email: [daniel@danielsmith.co.nz](mailto:daniel@danielsmith.co.nz)

# HYUNDAI Robex R110D-7

## Working Ranges



Description		2.26m Arm
Max digging reach	A	7740mm
Max digging reach on ground	A'	7610mm
Max digging depth	B	5090mm
Max digging depth (8ft level)	B'	4870mm
Max vertical wall digging depth	C	4430mm
Max digging height	D	8070mm
Max dumping height	E	5710mm
Min swing radius	F	2380mm
Bucket digging force	SAE	78.5 kN
		8000 kgf
		17640 lbf
	ISO	90.2 kN
Arm digging force	SAE	55.7 kN
		5680 kgf
		12520 lbf
	ISO	58.1 kN
		5920 kgf
		13050 lbf

## Lifting Capacities

Load point height	Load radius								At max. reach			
	1.5m(5ft)		3.0m(10ft)		4.5m(15ft)		6.0m(20ft)		Capacity		Reach m(ft)	
6.0m (20ft)	kg lb					*1750 *3860	*1750 *3860			*1750 *3860	*1560 *3440	5.99 (19.7)
4.5m (15ft)	kg lb					*1790 *3950	*1790 *3950	*1530 *3370	1490 3280	1520 3350	1130 2490	6.92 (22.7)
3.0m (10ft)	kg lb			*2820 *6220	*2820 *6220	*2270 *5000	*2270 *5000	1940 4280	1450 3200	1300 2870	940 2070	7.38 (24.2)
1.5m (5ft)	kg lb			*4700 *10360	4370 9630	*2970 *6550	2250 4960	1840 4060	1360 3000	1240 2730	880 1940	7.46 (24.5)
Ground Line	kg lb			5660 12460	3950 8710	2830 6240	2060 4540	1760 3880	1280 2820	1300 2870	930 2050	7.18 (23.6)
-1.5m (-5ft)	kg lb	*5580 *12300	*5580 *12300	5550 12240	3850 8490	2740 6040	1980 4370	1720 3790	1240 2730	1560 3440	1130 2490	6.49 (21.3)
-3.0m (-10ft)	kg lb	*8530 *18810	*8530 *18810	*5440 *11990	3930 8660	2770 6110	2010 4430			*2270 *5000	1730 3810	5.17 (17.0)